

MULTIMEDIA DEACTIVATOR AND MULTIMEDIA ACTIVATOR

**ZBMMECDE, ZKVIDACT
AND ZBMMNAR**



Sensormatic's Multimedia Deactivator and Multimedia Activator provide reliable deactivation and activation of Ultra•Max® EAS labels.

The Multimedia Deactivator can be used in any general merchandise store. It is a versatile, low-profile label deactivator designed for swipe contact. It deactivates Ultra•Strip II and Ultra•Strip III labels and is fully compatible with video cassettes, compact discs, digital video discs, audio tapes or credit cards.

The Multimedia Activator is designed to quickly activate Ultra•Strip II and Ultra•Strip III labels on video cassettes and compact discs. Up to three video cassettes can be activated with a single swipe.

Together, the Deactivator and Activator allow video rental stores to deactivate labels on video cassettes at checkout and re-activate them when videos are returned. Video rental stores can now adopt Ultra•Max EAS systems and enjoy the industry's highest detection performance and wide exit coverage.

The Deactivator and Activator are also effective on source tagged merchandise, enabling multimedia entertainment stores to easily expand their inventory to include music, software, games and books already in our Ultra•Max source tagging programs.

FEATURES

Multimedia Deactivator

- *Magnetic media safe*
- *Reliable deactivation of Ultra•Strip® II and Ultra•Strip® III labels*
- *Low profile - only .25in high*
- *Deactivates source tagged products (CDs, DVDs, video cassettes)*
- *Futuristic-looking, high impact plastic*
- *Compatible with DoubleChecker™*
- *Single transformer can power two deactivators*

Multimedia Activator

- *Quickly activates Ultra•Strip II and Ultra•Strip III labels*
- *Reliable activation*
- *Flip cover down to activate video cassettes*
- *Flip cover up to activate CDs and DVDs*
- *Activate three video cassettes with one swipe*
- *Portable and simple to install*
- *Requires no electricity*

Reliable deactivation and activation of Ultra • Strip II & Ultra • Strip III labels

SPECIFICATIONS

Product Codes

ZBMMECDE	Multimedia Deactivator (no power transformer)
ZKVIDACT	Multimedia Activator (no power transformer)
ZBMMNAR	Multimedia Deactivator with transformer (NAR only)

Electrical

Primary Input..... 100-128 VAC, 200-240 VAC
50/60 Hz

Deactivator Input from Transformer

Input Voltage 17 VAC @ 50/60Hz
Current 0.5 amps max.
Power Consumption 9 watts max.

Environmental

Operating Temperature 0° to 40°C
(32° to 104°F)
Relative Humidity 0-95% non-condensing

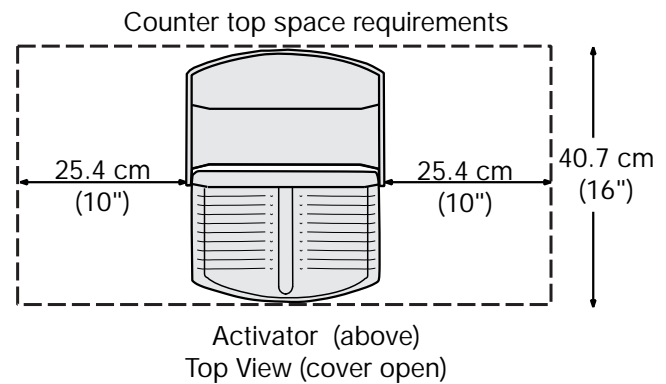
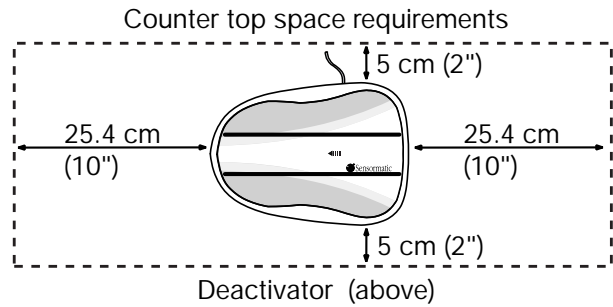
Mechanical

Deactivator Pad

Length 25.6 cm (10.08")
Width 1.85 cm (7.28")
Height 0.55 cm (0.22")
Weight 0.55 kg (1.2 lbs)

Activator Pad

Length 20.3 cm (8")
Width 30.4 cm (12")
Height 3.2 cm (1.25")
Weight 0.71 kg (1.56 lbs)



Sensormatic Electronics Corporation
951 Yamato Road, Boca Raton, Florida 33431, U.S.A.
Telephone: (561) 989-7000 Toll Free: (800) 368-7262
Visit our web site at <http://www.sensormatic.com>

Specifications subject to improvement or change without notice.

Certain product names mentioned herein may be trade names and/or registered trademarks of other companies.

